

4. PRINTER

4.1 THE PRINTER automatically prints the peak reading at fracture, as indicated on the digital display. The printer also prints the statistical data when the STATISTICAL ANALYSIS button has been pressed.

The printer can be disabled by switching the rear mounted printer ON/OFF switch to OFF.

The printer is fitted with a circular paper feed switch just above the green power indicator. It is not advisable to press the paper feed button whilst a tablet is being tested or when printing, as erroneous results may be printed.

4.2 CHANGING THE PAPER ROLL AND PRINTER RIBBON

A thermal printer is fitted to the C50, this does not need a printer ribbon. The paper roll can be changed by following the diagrams below. Use 57.5mm wide 46mm diameter paper rolls with a thermally sensitive coating.

For U.K. users paper is available from:-

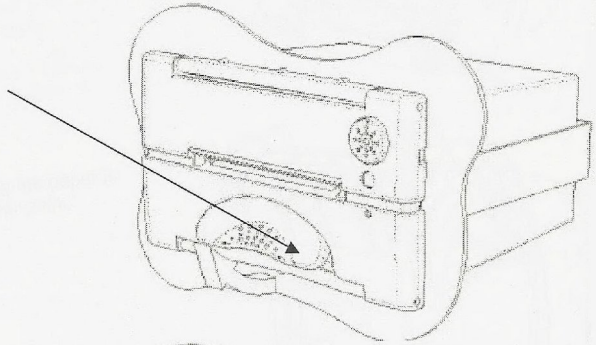
Farnell In One Tel. 08701 20020, www.farnell.com
Order code: 391-6170.

RS Components Tel. 08457 201201, www.rswwww.com
Order code: 224-9853

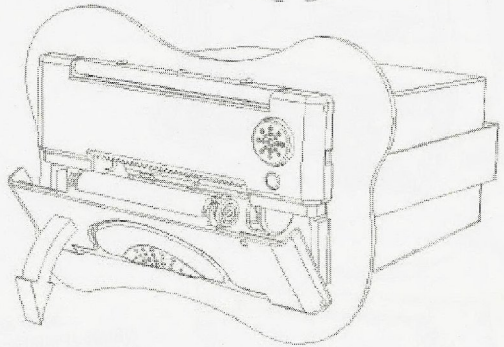
Able Systems Ltd. Tel. 01606 48621, www.able-systems.com
Order code: 04-A05846TPR1

Order codes correct, October 2005

Use the index finger to pull
release lever open



Continue to swing open this door until it is
held in the fully opened position.



Swing open the door with the *printer
mechanism* attached (normally top door), until it
is in the fully open position.
Do not grip the tear bar or the print head whilst
opening.

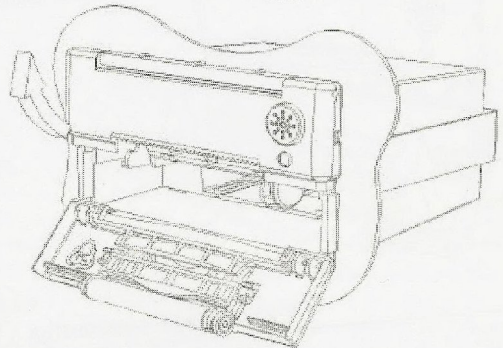
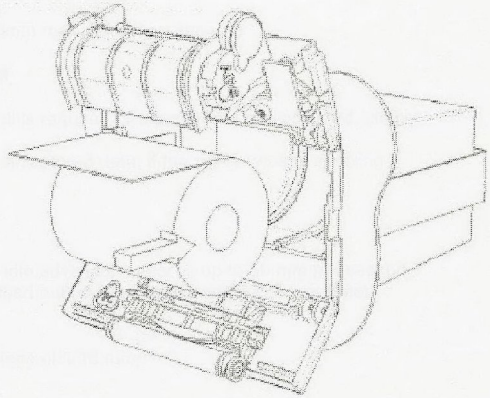
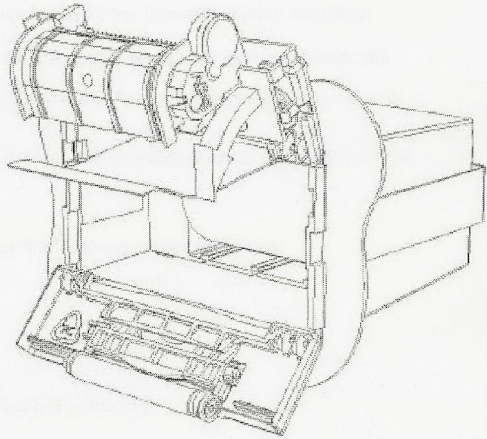


Figure 5

Discard a few turns in case they have been damaged or have glue on.
Ensure the coated surface is orientated correctly to contact the print head.



Close *printer door*, ensuring the paper is carefully aligned in the paper path.



Close *release lever* door.
Apply pressure to both sides of the door.
When the LED stops flashing the printer is ready to print.

